

**Product Specification sheet**

**ITEM 1**

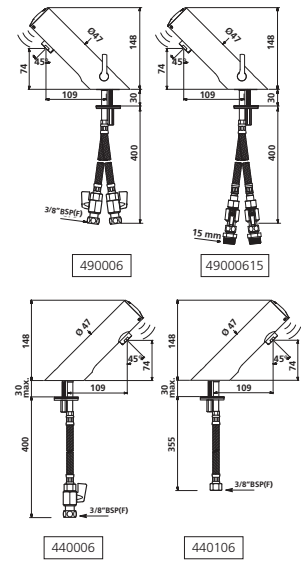
**TEMPOMATIC 3 AUTOMATIC MIXER TAPS WITH ANTI LEGIONELLA FLUSH**

No. required:

1

- 1. Dimensions: 3/8" BSP(F) with stopcock; 15mm for comp. fittings with stopcock; 3/8" BSP(F) without stopcock
- 2. Description: Automatic opening and closing without manual contact / HACCP Conform  
Anti- bacterial duty flushes every 24 hours for 45 seconds / Anti Legionella Flush  
Hygienic flow straightener / HACCP conform prevents the buildup of germs.  
Electronic washbasin tap with 6V Lithium battery electronic control unit and solenoid valve all integrated in the body of the tap. Regulated flow-reate 8l./min. with scale proof aerator and anti-blocking in flow safety device. Reinforced fixing by 2 stainless steel rods and lock-nuts and top maintenance cover locked by 2 hidden screws. Delivered with stainless steel flexible inlet with filter and stop cock. Brand DELABIE type TEMPOMATIC 3 with integrated battery.
- 3. Services: 6V Lithium Battery, Solenoid valve and electronic control unit integrated
- 4. Manufacture Warranty: 3 Years
- 5. Approved Model: Tempomatic 3 Automatic Mixer Tap With Anti Legionella Flush
- 6. Agent in GCC: MGK Electromechanical Works LLC  
Tel No.: 009714-3968264/ 4-3968263  
Email address: [info@mgk.ae](mailto:info@mgk.ae)

**NEW :**  
2nd half of 2010



## TEMPOMATIC 4

Electronic mixer or tap for washbasins with 6V Lithium battery, solenoid valve and electronic controls integrated in the body of the tap. Infra-red presence detection.

- Flow straightener set at **3 lpm** at 3 bar. Flow rate can be adjusted if the pressure < 3 bar.
- PEX flexibles with integrated filters.
- Chrome-plated brass body with reinforced fixings.
- Anti-blocking safety and temperature limiter.
- Duty flush (for ~45 seconds 24 hours after the last use).

- **TEMPOMATIC MIX 4 mixer** (with side temperature control)
 

3/8" BSP(F), non-return (NR) valves and stopcocks	<b>490006</b>
15mm for comp. fittings, NR valves and stopcocks	<b>49000615</b>
3/8" BSP(F), NR valves without stopcocks	<b>490106</b>

For longer lever please add "LH" after the reference (e.g. 490006LH)

- **TEMPOMATIC 4**

3/8" BSP(F) with stopcock	<b>440006</b>
15mm for compression fittings with stopcock	<b>44000615</b>
3/8" BSP(F) without stopcock	<b>440106</b>

> For general and technical information see pages 20-23.



TEMPOMATIC 4

## TEMPOMATIC 3

Electronic mixer or tap for washbasins with 6V Lithium battery, solenoid valve and electronic controls integrated in the body of the tap. Infra-red presence detection.

- Flow straightener set at **3 lpm** at 3 bar. Flow rate can be adjusted if the pressure < 3 bar.
- PEX flexibles with integrated filters.
- Chrome-plated brass body with reinforced fixings.
- Anti-blocking safety and temperature limiter.
- Duty flush (for ~45 seconds 24 hours after the last use).

- **TEMPOMATIC MIX 3 mixer** (with side temperature control)
 

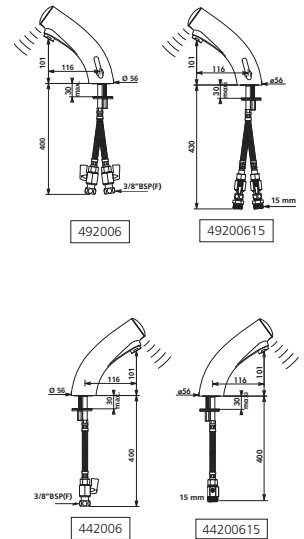
3/8" BSP(F) with non-return valves and stopcocks	<b>492006</b>
15mm for comp. fittings, NR valves and stopcocks	<b>49200615</b>
3/8" BSP(F) with non-return valves without stopcocks	<b>492106</b>

For longer lever please add "LH" after the reference (e.g. 492006LH)

- **TEMPOMATIC 3**

3/8" BSP(F) with stopcock	<b>442006</b>
15mm for comp. fittings with stopcock	<b>44200615</b>
3/8" BSP(F) without stopcock	<b>442106</b>

> For general and technical information see pages 20-23.



TEMPOMATIC 3

## TEMPOMATIC 2

Electronic mixer or tap for washbasins with infra-red presence detection.

- Flow straightener set at **3 lpm** at 3 bar. Flow rate can be adjusted if the pressure < 3 bar.
- PEX flexibles with filters and solenoid valves M1/2".
- Chrome-plated brass body with reinforced fixings.
- Anti-blocking safety and temperature limiter.
- Separate IP65 electronic control unit and shockproof sensor.
- Duty flush (for ~45 seconds 24 hours after the last use).

- **TEMPOMATIC MIX 2 mixer** (with side temperature control)
 

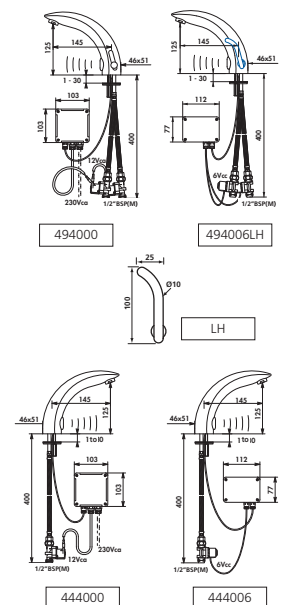
mains supply (230/12V transformer included)	<b>494000</b>
6V Lithium battery-operated	<b>494006</b>

For longer lever please add "LH" after the reference (e.g. 494000LH)

- **TEMPOMATIC 2**

mains supply (230/12V transformer included)	<b>444000</b>
6V Lithium battery-operated	<b>444006</b>

> For general and technical information see pages 20-23.



TEMPOMATIC 2

