

Item No.:

6544.11 TOP CLEAN
6544.11LEED TOP CLEAN (6 litres / minute)

Description:

Pre-Rinse Spray Unit With Lever Handle Single-Hole Mixer And Swivel Valve

The leading pre rinse spray unit with the unique pull-automatic

Key Advantages:

- Innovation ⇒ Automatic opening and dosing by pulling the hand shower
- Economy ⇒ Water saving - Automatic closing by leaving the hand shower
- ⇒ Eco - cartridge for water saving. 50% economic water consumption selectable
- ⇒ As LEED version max. 6 litres per minute at the spray gun
- Hygienic Design ⇒ Smooth surfaces - easy to clean - chrome plated
- Durability ⇒ Hose is not pressurized (increased lifetime)
- ⇒ Ball joint to the hand shower as hose sleeve support
- Ergonomics ⇒ 360° turnable
- ⇒ Lightweight and ergonomic operation
- Working Safety ⇒ Ball joint to extend the operating range
- ⇒ No uncontrolled swinging or jumping of the hand shower
- ⇒ Scald protection
- Service friendly ⇒ No more than 3 screws to change each part

Properties:

- ⇒ Non-return-valves prevent a circulation of warm and cold water as well as the back siphonage of wastewater
- ⇒ Comply to regulations for drinking water installations according to DIN 1988.
- ⇒ Recommended working pressure, min. 1 bar max. 5 bar
- ⇒ Max. water temperature 90°C, recommended temperature 60°C
- ⇒ Wall socket 165 mm, can be shortened to 35 mm
- ⇒ Flow rate of spray gun at 3 bar = 14 l/min; LEED version 6 l/min
- ⇒ Flow rate of spout approx. 20 l/min at 3 bar
- ⇒ All solders are free from cadmium and lead
- ⇒ All seals meet KTW requirements (legal regulations) and DVGW approval W270

Dimensions:

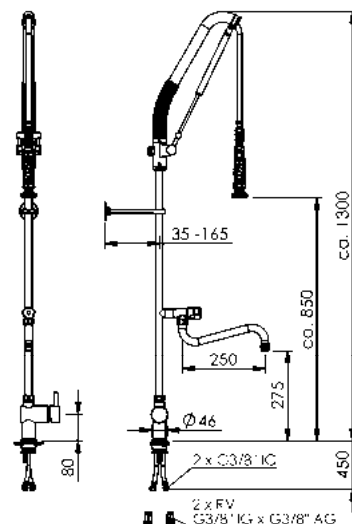
Nominal size = 1/2" (DN 15)
 Spray gun height ~ 850 mm
 Swivel valve height = 385 mm
 Spout projection = 250 mm
 Spout height = 275 mm
 Wall bracket length = 35 mm - 165 mm
 Overall height = 1300 mm
 Bore holes = 35 mm

Warranty:

2 years

Authorized Dealer:

MGK Electromechanical Works LLC
 P.O. Box 71130 Dubai, UAE
 Phone: +971 4 396 8264
 Fax: +971 4 396 8265
 Email: info@mgk.ae



Function:

The TopClean pre-rinse spray unit is designed for washing pots and dishes in the sink and draining board area intended for this purpose. In so doing, the hand-held rinser is pulled into the work area. At the same time, the rinser opens automatically. The strength of the water jet is controlled by the pull intensity in the direction of the sink. After use, the cantilever arm is returned to the initial position in a controlled fashion by a gas compression spring.

Depending on the model

- Water temperature can be regulated on a mixer unit;
- A wider range of use is possible for the pre-rinse spray unit with an additional water outlet; a switchover unit for switching between rinser and swivel-arm tap is fitted for this purpose,
- A swivel valve can be built into the riser pipe, with which water is directed to flow through the swivel-arm tap.

The TopClean model with thermostat allows the adjustment of the ideal pre-rinse temperature of 38°C, at which no protein coagulation or starch agglutination take place.

Operating instructions:

The rinser valve is opened by pulling the rinser head into the work area. No other lever needs to be pressed.

The strength of the narrow, compact water jet is regulated by the pull intensity:

The deeper the hand-held rinser is pulled in the direction of the sink, the more powerful the water jet. A maximum flow rate of 12 litres/minute is achieved at a flow pressure of 3 bar

After use, the rinser is returned smoothly to the initial position by the gas compression spring on the cantilever arm.

Alternatives:

<u>Model</u>	<u>Order no.</u>
Rinser upper part retrofit kit	6530
Monobloc mixer unit	6534
Monobloc mixer unit with swivel valve	6534.02
Twin hole mixer unit	6535
Twin hole mixer unit with switchover	6536
Wall mounted mixer unit	6537
Wall mounted mixer unit with swivel valve	6537.02
Wall mounted mixer unit with switchover	6538
Twin hole mixer unit with swivel valve	6539
Single lever mixer unit	6544.10
Single lever mixer unit with swivel valve	6544.11
Single lever mixer 2 pillar unit	6545.10
Single lever mixer 2 pillar unit with swivel valve	6545.11
Single lever wall mounted mixer unit	6547.10
Single lever wall mounted mixer unit with swivel valve	6547.11
Thermostat mixer 2 pillar unit with swivel valve	6446
Wall mounted Thermostat mixer unit with swivel valve	6448

Note: With the extension LEED (sample: 6544.11LEED) each pre rinse spray unit is available with a limitation of 6 litres per minute at the spray gun.



6530
Pre rinse upper part retrofit kit



6448
Wall mounted Thermostat mixer unit with swivel valve



6446
Thermostat mixer 2 pillar unit with swivel valve

Item No.:

- 6450 SEMI PRO** (for high pressure only)
- 6450.91 SEMI PRO** (for low-pressure hot water boilers)
- 6454 SEMI PRO** (wall mounted, high pressure)

Description:

Pre-Rinse Spray Unit With Low Height

Key Advantages:

- *Innovation* ⇒ Hand shower and spout combined
- ⇒ Adjustable metal hand shower, water jet and spray (only 6450)
- *Economy* ⇒ Water saving - ECO-ceramic-cartridges
- ⇒ Option of water consumption by 50%
- *Hygienic Design* ⇒ Smooth surfaces - easy to clean - chrome plated
- *Durability* ⇒ Hose is not pressurized (increased lifetime)
- ⇒ Hose with stainless steel Aggraf-winding
- *Ergonomics* ⇒ 360° turnable
- ⇒ Lightweight and ergonomic operation
- *Working Safety* ⇒ Connected or disconnected use of the hand shower to extend the operating range
- ⇒ Temperature and flow rate control with modern ECO-ceramic cartridge
- ⇒ Scald protected hand shower
- *Service friendly* ⇒ All components interchangeable
- ⇒ Easy-to-install fastening system

Properties:

- ⇒ Chrome-plated metal grip
- ⇒ Hand shower with backflow preventer
- ⇒ Non-return-valves prevent a circulation of warm and cold water as well as the back siphonage of wastewater
- ⇒ Shower hose with stainless steel Aggraf-winding, length 500 mm - Connection: M15x1 male thread x 1/2"
- ⇒ Comply to regulations for drinking water installations according to DIN 1988.
- ⇒ Resistant to hot water up to max. 90°
- ⇒ Flow rate of hand shower = 9 l/min - 12 l/min (2 bar - 4 bar)
- ⇒ All solders are free from cadmium and lead
- ⇒ All seals meet KTW requirements (legal regulations) and DVGW approval W270

Model: 6450 / 6450.91

- ⇒ With flexible connection hoses, length 460mm, union nuts 2 x 3/8"
- ⇒ Easy-to-install fastening system, rod M8 x 140mm for a worktop thickness of up to approx. 50 mm, bore hole Ø 30 mm

Model: 6454

- ⇒ Connection G 1/2", gauge for bore holes 150 mm ± 25 mm

Dimensions:

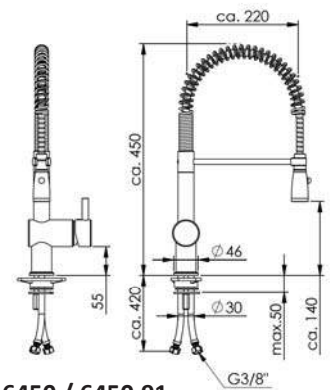
	6450 / 6450.91	6454
Nominal size	= 1/2" (DN 15)	1/2" (DN 15)
Projection radius approx.	= 220 mm	220 mm
Total height approx.	= 450 mm	335 mm
Spray gun height approx.	= 130 mm	45 mm

Warranty:

2 years

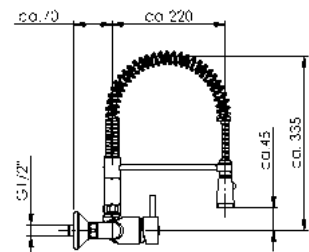
Authorized Dealer:

MGK Electromechanical Works LLC
 P.O. Box 71130 Dubai, UAE
 Phone: +971 4 396 8264
 Fax: +971 4 396 8265
 Email: info@mgk.ae



6450 / 6450.91

Pre Rinse Spray Unit With Lever Handle Single Hole Mixer



6454

Pre Rinse Spray Unit Wall-Mounted Lever Handle Mixer

Item No.:

6450-10 SEMI PRO

Description:

Pre-Rinse Spray Unit For Optional Bodies

Key Advantages:

- *Innovation* ⇒ Interchangeable Pre-Rinse Unit for different bodies
- ⇒ Hand shower and spout combined
- ⇒ Adjustable metal hand shower, water jet and spray
- *Hygienic Design* ⇒ Smooth surfaces - easy to clean - chrome plated
- *Durability* ⇒ Hose is not pressurized (increased lifetime)
- ⇒ Hose with stainless steel Aggraf-winding
- *Ergonomics* ⇒ 360° turnable
- ⇒ Lightweight and ergonomic operation
- *Working Safety* ⇒ Connected or disconnected use of the hand shower to extend the operating range
- ⇒ Temperature and flow rate control with modern ECO-ceramic cartridge or grease chamber headworks
- ⇒ Scald protected hand shower
- *Service friendly* ⇒ All components interchangeable
- ⇒ Easy-to-install fastening system

Properties:

- ⇒ Chrome-plated metal grip
- ⇒ Hand shower with backflow preventer
- ⇒ Non-return-valves prevent a circulation of warm and cold water as well as the back siphonage of wastewater
- ⇒ Shower hose with stainless steel Aggraf-winding, length 500 mm - Connection: M15x1 male thread x 1/2"
- ⇒ Comply to regulations for drinking water installations according to DIN 1988.
- ⇒ Resistant to hot water up to max. 90°
- ⇒ Flow rate of hand shower = 9 l/min - 12 l/min (2 bar - 4 bar)
- ⇒ All solders are free from cadmium and lead
- ⇒ All seals meet KTW requirements (legal regulations) and DVGW approval W270

Dimensions:

Nominal size = 1/2" (DN 15)
 Projection radius approx. = 220 mm
 Total height approx. = 300 mm

Warranty:

2 years

Optional Bodies:

<u>Model</u>	<u>Order no.</u>
Thermostat mixer	6436-6
Mixer tap 1/2"	6637-6
Single hole mixer tap 1/2"	6634.20-6
Single feed valve 1/2"	6632-6

Authorized Dealer:

MGK Electromechanical Works LLC
 P.O. Box 71130 Dubai, UAE
 Phone: +971 4 396 8264
 Fax: +971 4 396 8265
 Email: info@mgk.ae



6450-10
Pre rinse upper part retrofit kit

Optional Bodies:



6436-6
Thermostat mixer



6637-6
Mixer tap 1/2"



6634.20-6
Single hole mixer tap 1/2"



6632-6
Single feed valve 1/2"

Item No.:	6470.50/300.265	6470.50/350.265	6470.50/400.265
	6470.50/300.355	6470.50/350.355	6470.50/400.355
	6470.50/300.555	6470.50/350.555	6470.50/400.555

Description: **Single-Handle Pillar Mixer 3/4"**
side handle

Key Advantages:

- Innovation ⇒ Assembly from top
- ⇒ Optional Spout with swivel limitation
- ⇒ Numerous different spouts
- ⇒ JetSafe Swivel spout (drip-stop) with high-flow jet regulator
- Hygienic Design ⇒ Smooth surfaces—easy to clean - chrome plated
- Ergonomics ⇒ Spout 360° turnable
- ⇒ Easy to handle - one-hand operation
- Working Safety ⇒ Heat-insulated handle
- ⇒ Resistant to hot water up to 80 °C
- Service friendly ⇒ Disassembly from top

Properties:

- ⇒ Ideal for high water demand or low line pressure
- ⇒ Special ceramic cartridge with ca. 42 L/min at 3 bar water pressure
- ⇒ Table hole Ø 43 mm
- ⇒ connection piece G 1 1/4" x 50 mm
- ⇒ copper pipes with connection threads 2 x G 1/2"
- ⇒ All seals meet KTW requirements (legal regulations) and DVGW approval W270
- ⇒ Comply to regulations for drinking water installations according to DIN 1988.

Dimensions:

Nominal size	= 3/4"
Spout projection	= 250 mm; 300 mm; 350 mm; 400 mm
Spout height	= 265 mm; 355 mm; 555 mm
Overall height	= 360 mm; 450 mm; 650 mm
Bore holes	= Ø 43 mm

Optional Accessories:

Item No.:

6471.60

Description:

Assembling base 1 1/2"

Key Advantages:

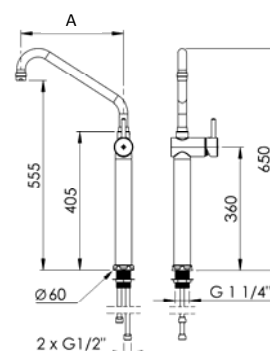
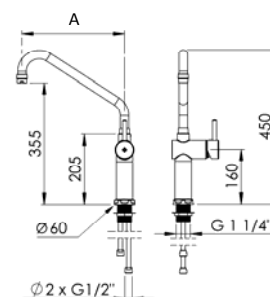
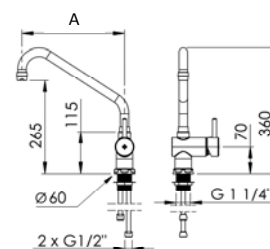
- Innovation ⇒ Pre-installation kit for faucet installation from top
- ⇒ The faucet can be pulled up for maintenance
- ⇒ Eliminate the need to mount the faucet from below
- ⇒ Assembling base for pillar diameter 48 mm
- ⇒ Thread socket 1 1/4"

Warranty:

2 years

Authorized Dealer:

MGK Electromechanical Works LLC
P.O. Box 71130 Dubai, UAE
Phone: +971 4 396 8264
Fax: +971 4 396 8265
Email: info@mgk.ae



6471.60
Assembling base 1 1/2"



Alternatives:

Ordering system

For ordering the alternative dimensions please use the standard reference code of the faucet without spout.

The spout must be ordered separately.

6470.50/000.265 = (faucet without spout)

Optional spout

reference-code	projection A	height H
6338.91 / 250.190	250mm	265mm
6338.91 / 250.250	250mm	325mm
6338.91 / 250.350	250mm	425mm
6338.91 / 300.190	300mm	265mm
6338.91 / 300.250	300mm	325mm
6338.91 / 300.350	300mm	425mm
6338.91 / 350.190	350mm	265mm
6338.91 / 350.250	350mm	325mm
6338.91 / 350.350	350mm	425mm
6338.91 / 400.190	400mm	265mm
6338.91 / 400.250	400mm	325mm
6338.91 / 400.350	400mm	425mm

6470.50/000.355 = (faucet without spout)

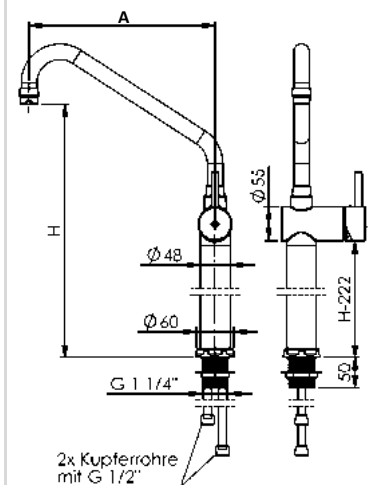
Optional spout

reference-code	projection A	height H
6338.91 / 250.190	250mm	355mm
6338.91 / 250.250	250mm	415mm
6338.91 / 250.350	250mm	515mm
6338.91 / 300.190	300mm	355mm
6338.91 / 300.250	300mm	415mm
6338.91 / 300.350	300mm	515mm
6338.91 / 350.190	350mm	355mm
6338.91 / 350.250	350mm	415mm
6338.91 / 350.350	350mm	515mm
6338.91 / 400.190	400mm	355mm
6338.91 / 400.250	400mm	415mm
6338.91 / 400.350	400mm	515mm

6470.50/000.555 = (faucet without spout)

Optional spout

reference-code	projection A	height H
6338.91 / 250.190	250mm	555mm
6338.91 / 250.250	250mm	615mm
6338.91 / 250.350	250mm	715mm
6338.91 / 300.190	300mm	555mm
6338.91 / 300.250	300mm	615mm
6338.91 / 300.350	300mm	715mm
6338.91 / 350.190	350mm	555mm
6338.91 / 350.250	350mm	615mm
6338.91 / 350.350	350mm	715mm
6338.91 / 400.190	400mm	555mm
6338.91 / 400.250	400mm	615mm
6338.91 / 400.350	400mm	715mm



Item No.:

6460.90/200.300	6460.90/250.500
6460.90/250.300	6460.90/300.500
6460.90/300.300	6460.90/350.555

Description:

Single-Handle Pillar Mixer 1/2"

side handle

Key Advantages:

- *Innovation* ⇒ Water saving - ECO-ceramic-cartridges
- ⇒ Option of water consumption by 50%
- *Hygienic Design* ⇒ Smooth surfaces—easy to clean - chrome plated
- *Ergonomics* ⇒ Spout 360° turnable
- ⇒ Easy to handle - one-hand operation
- *Working Safety* ⇒ Heat-insulated handle
- ⇒ Temperature and flow rate control with modern ECO-ceramic cartridge
- ⇒ Resistant to hot water up to 80 °C
- *Service friendly* ⇒ All components interchangeable
- ⇒ Easy-to-install fastening system

Properties:

- ⇒ Ideal for front of house installation
- ⇒ Special Eco-ceramic cartridge with ca. 23 L/min at 3 bar water pressure
- ⇒ Table hole Ø 30 mm
- ⇒ Flexible connection hoses G 3/8" x 500 mm
- ⇒ All seals meet KTW requirements (legal regulations) and DVGW approval W270
- ⇒ Comply to regulations for drinking water installations according to DIN 1988.

Dimensions:

Nominal size	= 1/2" (DN15)
Spout projection	= 200 mm; 250 mm; 300 mm; 350 mm
Spout height	= 300 mm; 500 mm
Bore hole	= Ø 30 mm

Warranty:

2 years

Authorized Dealer:

MGK Electromechanical Works LLC

P.O. Box 71130 Dubai, UAE
 Phone: +971 4 396 8264
 Fax: +971 4 396 8265
 Email: info@mgk.ae

