

Section 1
Pre-Rinse Sprays,
Options & Spares



Section 2
Taps/Faucets
& Spouts



Section 3
Electronic &
Hands-Free Taps,
Hardware
& Accessories



Section 4
Wash Hand
Stations, Fixtures,
Fittings &
Accessories



Section 5
Water Hoses &
Accessories



Section 6
Gas Connections
& Accessories



Section 7
Gas Safety Devices
(GIS, solenoids, etc.)



Section 8
Insect Killers &
Spares



Section 9
Hygiene, Waste,
Drain & Grease
Management
Products

All commercial gas hoses are not the same!

DEMAND THE DIFFERENCE.

DORMONT



Flared-end Mechanical fittings -
for Strength and Reliability.



BSI Kitemarked - Most
accredited gas hose in the World.



Good for all 3 gas families: - town,
natural & LPG.



All Hoses Annealed -
to Increase Flexibility and
Corrosion Resistance.



304 Stainless Steel, Helically
formed Hose -
Flexible
and Strong.



PVC Dipped Coating - Wrinkle
free, Easy to
Clean and
Durable.

DORMONT: The World's Most Trusted Name in Gas Hoses



Push-to-Connect, Flat-Faced, Quick Disconnect Coupling -
Easy to Use with Less Places
for Dirt and Debris to Collect.



Antimicrobial Coating
to Resist
Build Up of
Bacteria for Hygiene.



Option: Safety Quik

DORMONT



Option: Swivel Max

Your reputation is our business



Superior Construction

comes as **STANDARD**. Dormont standard hoses are specifically designed and engineered for the commercial food service environment and application.



Dipped **PVC** coating provides a **permanent, wrinkle-free, heat and crack-resistant smooth surface** preventing places where dirt and debris can lodge facilitating cleaning and **better hygiene**. PVC coating also increases service life and will not hold a flame in the event of a fire.



Dormont
smooth surface



Others
wrinkled surface



New and unique Antimicrobial Coating, exclusive to Dormont hoses, improves hygiene and safety since materials resist contamination and inhibit the growth of mildew, mould and odour-causing bacteria on the hose.



Each fully annealed **304 stainless steel** hose has an exclusive **helical** corrugation design (one continuous spiral corrugation) to increase strength and flexibility.



The **annealing process** increases the strength, ductility and corrosion resistance of the stainless steel after corrugation.



Flared mechanical end fittings provide longer-lasting service life at critical twisting points versus welded fittings.



Exclusive push-to-connect, quick-disconnect coupling unit for easy, one-handed operation with a unique **flat face** to prevent the ingress of debris and liquids.



360° axial rotation.



CaterConneX - Gas Standard & Braided Dormont Hoses, Safety Options & Regulators



featuring **DORMONT** Gas Hoses

Dormont hoses are of the **highest quality**, with **ease of use, reliability and safety built-in**. You can “Fit & Forget” – saving time and money and preserving your reputation by using “the most trusted name in gas hoses.” – gas hoses designed with safety and long-life in mind. Dormont’s attention to detail and specific engineering process ensure that every precaution has been taken so that **the job’s done right, first time!**

STANDARD HOSES Name: NPVF

Connection Sizes: 1/2, 3/4, 1, 1-1/4 inch

Hose Lengths: 300, 600, 1000, 1200, 1500, 1800mm

NB: supplied standard with straight restrainers; coiled restrainers are an added option.

PREMIUM HOSES Name: BPQ

Connection Sizes: 1/2, 3/4, 1, 1-1/4 inch

Hose Lengths: 300, 600, 1000, 1200, 1500, 1800mm

NB: supplied standard with straight restrainers; coiled restrainers are an added option.

SAFETY OPTIONS Name: S, CF or RC

includes SwivelMax™, Safety Quik™ & Coiled Restrainers

Connection Sizes: 1/2, 3/4, 1, 1-1/4 inch

Restrainer Lengths: 1000, 1200, 1500mm

DORMONT SAFETY SYSTEM™ HOSES

Name: Dormont Safety System™



Connection Sizes: 1/2, 3/4, 1 inch

Hose Lengths: 1000, 1200, 1500, 1800mm

NB: supplied standard with coiled restrainers.

Features & Benefits

- **BSI/Kitemarked** [BS669, Part 2] and worldwide accredited
- **Suitable for all 3 gas types:** Town, Natural & LPG
- Dipped PVC coating for permanent, wrinkle-free, heat & crack-resistant surface – **prevents dirt & chemicals from lodging under the sleeve**
- **Antimicrobial coating** resists the growth of mildew, mould and odour-causing bacteria
- Push-to-connect, quick-disconnect coupling provides **easy, one-handed operation**
- Flat face surface **prevents the ingress of debris & liquids**
- **360° axial rotation**
- **Annealed 304 stainless steel** construction with **helical corrugation** design
- **Flared mechanical end fittings**

DORMONT – Promises backed by Engineering excellence, Testing, Accreditation, and Experience.



“Component”



Our Promise - “Your reputation is our business”

Delivery is charged at the prevailing rate. Prices exclude VAT at the prevailing rate. The Company reserves the right to alter prices without notice. Please confirm this is the most current Price when placing your order. (See issue number at the top of the page to confirm most current price.) NB: Product accreditation may not apply to all products in the relevant range. Please contact Mechline to confirm. Unless otherwise stated, all products carry a warranty of twelve (12) months against manufacturing defect or workmanship on parts. No inclusion is made for labour or site attendance.

Unit 15 Carters Lane Kiln Farm Milton Keynes MK11 3ER
Tel: +44 (0) 1908 261 511 Fax: +44 (0) 1908 261 522 Email: info@mechline.com www.mechline.com

CaterConneX is a registered trade mark and the property of Mechline Developments Ltd.



To see more products from Mechline, visit www.mechline.com

CaterConneX-Gas Standard & Braided Gas Hoses



All hoses supplied complete with **quick-disconnect** coupling, straight **restraining wire** & mounting hardware.

Approved for all 3 gas families: Town, LPG and Natural Gas

Fitting Size Part No. Standard Hose "NPVF"

*Length: 1000mm

1/2-inch	2650NPVF36
3/4-inch	2675NPVF36
1-inch	26100NPVF36
1 1/4-inch	Use 1200mm instead.

*Length: 1200mm

1/2-inch	2650NPVF48
3/4-inch	2675NPVF48
1-inch	26100NPVF48
1 1/4-inch	26125NPVF48

*Length: 1500mm

1/2-inch	2650NPVF60
3/4-inch	2675NPVF60
1-inch	26100NPVF60
1 1/4-inch	26125NPVF60

*Optional lengths available: 300, 600 & 1800, as special order.

Fitting Size Part No. Braided Hose "BPQ"

*Length: 1000mm

1/2-inch	2650BPQ36
3/4-inch	2675BPQ36
1-inch	26100BPQ36
1 1/4-inch	Use 1200mm instead.

*Length: 1200mm

1/2-inch	2650BPQ48
3/4-inch	2675BPQ48
1-inch	26100BPQ48
1 1/4-inch	26125BPQ48

*Length: 1500mm

1/2-inch	2650BPQ60
3/4-inch	2675BPQ60
1-inch	26100BPQ60
1 1/4-inch	26125BPQ60

*Optional lengths available: 300, 600 & 1800, as special order.

NB: If purchasing hoses without a restrainer, there will be a charge to dismantle the assembly.

BSI kitemarked & accredited worldwide, Dormont hoses are suitable for **town gas, natural gas & LPG.**

Each hose is fitted with a single-handed, 'push- to-connect', **quick-disconnect coupling**, saving the operator valuable time and effort trying to re-connect.

Health & hygiene are enhanced with Dormont's unique thick **non-crack PVC** covering making the hose easier to keep clean. Also, with their exclusive **antimicrobial coating**, Dormont hoses resist the build up of mildew, mould and odour-causing bacteria.

Dormont hoses use a **helical corrugated design** and an annealing process to give the tube **greater flexibility and strength.**

Delivery is charged at the prevailing rate. Prices exclude VAT at the prevailing rate. The Company reserves the right to alter prices without notice. Please confirm this is the most current Price when placing your order. (See issue number at the top of the page to confirm most current price.) NB: Product accreditation may not apply to all products in the relevant range. Please contact Mechline to confirm. Unless otherwise stated, all products carry a warranty of twelve (12) months against manufacturing defect or workmanship on parts. No inclusion is made for labour or site attendance.

CaterConneX Gas Hose Safety & Performance Options



Any option can be used on Standard or Braided hoses

Fitting Size	Model
--------------	-------



Safety Quik (formerly Cimfast)	
1/2-inch	CF50
3/4-inch	CF75
1-inch	CF100
1 1/4-inch	N/A



SwivelMAX (formerly Supr-Swivel) - not available on its own	
1/2-inch	S50
3/4-inch	S75
1-inch	S100
1 1/4-inch	S125

Length	Model
--------	-------



Straight Restrainer - with mounting hardware	
1000mm	RS36
1200mm	RS48
1500mm	RS60



Coiled Restrainer - with mounting hardware	
1000mm	RC36
1200mm	RC48
1500mm	RC60

Fitting Size	Model
--------------	-------

Spare Couplings	
1/2-inch	F50C
3/4-inch	F75C
1-inch	F100C
1 1/4-inch	F125C

Dormont Quick-Disconnect Coupling bodies for use with Dormont hoses only.

- easy to reconnect
- flat face preventing the ingress of dirt
- designed for catering applications

BTU Capacities Flow rating BTU @ 0.55 sp. gr. natural gas, 0.58 mbar pressure drop, 37.96 MJ/m3.

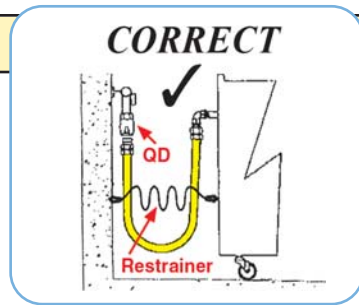
NB: Pressure drop determines how much gas is delivered. Higher pressure will increase the amount delivered. Lower pressures and the addition of Performance Options may reduce the amount delivered. Be sure to check your installation requirements when ordering gas hoses and/or seek the advice of a CORGI engineer.

Length (mm)	1000mm	1250mm	1500mm
Hose I.D. inches			
1/2-inch	66,000	59,000	56,000
3/4-inch	152,000	142,000	136,000
1-inch	246,000	236,000	214,000
1 1/4-inch	490,000	455,000	430,000

The BTU capacities given here were determined under the test conditions specified in BS669 part 2 1997 and are for braided and unbraided gas hoses fitted with standard quick-disconnect fittings or Safety Quik™. For sizes/lengths other than those given, or for hoses fitted with SwivelMAX™ fittings, or without quick-disconnect couplings, contact Mechline for advice.

Installation Tips

- QD part of hose should be at supply end
- Ensure that there is a natural, single loop – no sharp bends, crimps or twists – to avoid fatigue
- Do not allow hose to drag on floor
- Restrainer should be slightly shorter than the length of gas hose to avoid over-extending the hose – do not attach restraints to gas supply pipes, gas hose or any point insufficiently anchored



Delivery is charged at the prevailing rate. Prices exclude VAT at the prevailing rate. The Company reserves the right to alter prices without notice. Please confirm this is the most current Price when placing your order. (See issue number at the top of the page to confirm most current price.) NB: Product accreditation may not apply to all products in the relevant range. Please contact Mechline to confirm. Unless otherwise stated, all products carry a warranty of twelve (12) months against manufacturing defect or workmanship on parts. No inclusion is made for labour or site attendance.

To see more products from Mechline, visit www.mechline.com

CaterConneX Safety System Plus™ Package



The Ultimate in Safety & Performance – Lifetime Warranty



Final connections to equipment are made via suitable length Dormont Gas Hoses. Hoses to be **Stainless Steel [304] helically wound, annealed**, with an external stainless steel woven **wire braid protection**, complete with flared end fittings. Hose to be finished with permanently bonded **PVC, heat-resistant dipped coating**. Quick-Disconnect Valve is Brass, with **'Push-to-Connect'** operation and flat-face finish. Hoses to be completed with **coiled steel restraining cable**, with a minimum tensile strength of 500kg, and cable fixing kit.

At both ends of the hose is a **SwivelMax™** (formerly known as Supr-Swivel) gas multi-plane elbow fitting, providing 360-degree rotation in one plane, 270-degree rotation in opposing plane. At the supply end is fitted a combined Isolation/Quick-Disconnect valve known as **Dormont Safety Quik™** - (formerly known as Cimfast). **Limited Lifetime Warranty** on braided hoses used in the Safety System Plus™ configuration.



CaterConneX Safety System Plus™ Gas Hose Models

1 Braided Gas Hose + 2 Swivels + 1 Safety Quik* + 1 Coiled Restraint Cable

Description	Model Name
1/2-inch x 1000mm Hose = 2650 BPQ 36 2S 1/2-inch CF + RC	1/2-inch x 1000mm Safety System™ hose
3/4-inch x 1000mm Hose = 2675 BPQ 36 2S 3/4-inch CF + RC	3/4-inch x 1000mm Safety System™ hose
1-inch x 1000mm Hose = 26100 BPQ 36 2S 1-inch CF + RC	1-inch x 1000mm Safety System™ hose
1/2-inch x 1200mm Hose = 2650 BPQ 48 2S 1/2-inch CF + RC	1/2-inch x 1200mm Safety System™ hose
3/4-inch x 1200mm Hose = 2675 BPQ 48 2S 3/4-inch CF + RC	3/4-inch x 1200mm Safety System™ hose
1-inch x 1200mm Hose = 26100 BPQ 48 2S 1-inch CF + RC	1-inch x 1200mm Safety System™ hose
1 1/4-inch* x 1200mm Hose = 26125 BPQ 48 2S (no CF needed) + RC	1 1/4-inch x 1200mm Safety System™ hose
1/2-inch x 1500mm Hose = 2650 BPQ 60 2S 1/2-inch CF + RC	1/2-inch x 1500mm Safety System™ hose
3/4-inch x 1500mm Hose = 2675 BPQ 60 2S 3/4-inch CF + RC	3/4-inch x 1500mm Safety System™ hose
1-inch x 1500mm Hose = 26100 BPQ 60 2S 1-inch CF + RC	1-inch x 1500mm Safety System™ hose
1 1/4-inch* x 1500mm Hose = 26125 BPQ 60 2S (no CF needed) + RC	1 1/4-inch x 1500mm Safety System™ hose
1/2-inch x 1800mm Hose = 2650 BPQ 72 2S 1/2-inch CF + RC	1/2-inch x 1800mm Safety System™ hose
3/4-inch x 1800mm Hose = 2675 BPQ 72 2S 3/4-inch CF + RC	3/4-inch x 1800mm Safety System™ hose
1-inch x 1800mm Hose = 26100 BPQ 72 2S 1-inch CF + RC	1-inch x 1800mm Safety System™ hose

***NB: Safety Quik NOT supplied with 1-1/4-inch connection hoses.**

Delivery is charged at the prevailing rate. Prices exclude VAT at the prevailing rate. The Company reserves the right to alter prices without notice. Please confirm this is the most current Price when placing your order. (See issue number at the top of the page to confirm most current price.) NB: Product accreditation may not apply to all products in the relevant range. Please contact Mechline to confirm. Unless otherwise stated, all products carry a warranty of twelve (12) months against manufacturing defect or workmanship on parts. No inclusion is made for labour or site attendance.

Unit 15 Carters Lane Kiln Farm Milton Keynes MK11 3ER
Tel: +44 (0) 1908 261 511 Fax: +44 (0) 1908 261 522 Email: info@mechline.com www.mechline.com



CaterConneX is a registered trade mark and the property of Mechline Developments Ltd.

What is the Dormont Safety System Plus™?

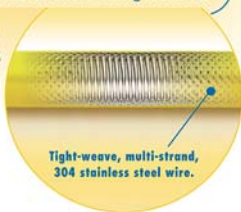
Strength and Durability

Upgrade to Dormont's **PREMIUM BRAIDED** hoses and enjoy all the features & benefits of the standard hose but increase service life and improve installation configurations.

Stainless steel braiding prevents the corrugations of the hose from stretching as equipment is moved – increasing durability, service life and tensile strength. Combined with the dipped antimicrobial PVC coating process, the braiding provides an exceptionally strong outer protective surface.

Additionally every braided hose comes with the same antimicrobial coating and one-handed, push-to-connect, quick-disconnect coupling found in the unbraided hoses.

Model number: BPQ.



Tight-weave, multi-strand, 304 stainless steel wire.

It's when you combine:

- Dormont's braided hose,
- 2 SwivelMax,
- 1 Safety Quik &
- 1 coiled restrainer



The 'Ultimate' Gas Hose.

Introducing the unique Dormont Safety System™

Combine Dormont's premium **BRAIDED** hose and exclusive safety fittings - **Safety Quik™**, **SwivelMAX™** and **coiled restrainer** - to build the **Safety System™**.

Dormont's exclusive **Safety System™** family is a complete system of products engineered to give you peace of mind and the ultimate warranty. Safe, unique and affordable, the Dormont Safety System™ surpasses all other gas installations and gives you the tools to ensure you have the very safest installation configuration. The Safety System™ comprises of a **Safety Quik™**, **two SwivelMAX™** couplings, **one coiled restrainer** and a **braided hose**.
Model number: Dormont Safety System™.

Dormont Safety System™ gas hoses are guaranteed for the life of the original appliance to which they are connected. Warranty applies to the gas hose only. Please contact Mechline for complete details.

Typical Safety System™ hose configuration.

Upgrading to Dormont's braided hose increases reliability with every installation. Braided hoses **resist the wear & tear** that can stretch other hoses and cause the hose to deteriorate over time. Use braided hoses to create the Dormont Safety System Plus™ & enjoy **a lifetime warranty*** on the hose for the life of the original appliance to which it is connected.

**Braided hoses used in the Safety System Plus™ configuration are guaranteed for the life of the original appliance to which they are connected. For more details on conditions of warranty, contact Mechline.*

Demand the Difference



Manufactured to meet the requirements of BS 669 part 2

Safety System Plus™ hoses include Performance Options as standard

OFF position
When Safety Quik™ is in the OFF position, it acts as a shut off valve and quick disconnect, still providing simple, one-handed disconnect functionality but with the added protection that the gas hose cannot be disconnected until the gas flow is shut off. Likewise, the valve cannot be opened until the gas hose is correctly re-attached.

ON position
When Safety Quik™ is in the ON position, you are assured it is safe to operate the equipment. Also, feel more secure knowing that in each Safety Quik™, there is a safety shrouded shut-off feature which stops the flow of gas when the intered temperature exceeds 170°C (320°F).

Safety Quik™ (formerly Cimfast) - Name: CF
Model Numbers: CF50, CF75, CF100

With **Safety Quik** the hose can only be disconnected when the valve is turned to the OFF position. Still providing simple, one-handed disconnect functionality, be confident that the gas hose cannot be disconnected until the gas flow is shut off. Likewise, the valve cannot be opened until the gas hose is correctly re-attached. Can be used with unbraided or braided hoses.

SwivelMAX™ (formerly Supr-Swivel) - Name: S
Model Numbers: S50, S75, S100, S125

SwivelMAX provides unique multi-plane rotational movement to increase aisle space in the kitchen; decreases stress on the hose and thereby increase the service life of the hose. Maximise performance, mobility, space & safety. Fit to standard or braided hoses as part of original assembly. Cannot be retro-fitted.

Coiled Restrainer - Name: RC
Model Numbers: RC36, RC48, RC60

Add the **Coiled Restrainer** to help keep the cable off the ground to avoid potential snagging with castors, foot traffic & equipment.

Delivery is charged at the prevailing rate. Prices exclude VAT at the prevailing rate. The Company reserves the right to alter prices without notice. Please confirm this is the most current Price when placing your order. (See issue number at the top of the page to confirm most current price.) NB: Product accreditation may not apply to all products in the relevant range. Please contact Mechline to confirm. Unless otherwise stated, all products carry a warranty of twelve (12) months against manufacturing defect or workmanship on parts. No inclusion is made for labour or site attendance.

To see more products from Mechline, visit www.mechline.com

CaterConneX-Gas Compact Regulators



Mechline's **CaterConneX-Gas Compact Regulators** are designed for commercial cooking appliances. High-quality regulators that are maintenance free.

GAS PORT SIZE	MODEL NUMBER
3/8-inch	C-GR038
1/2-inch	C-GR050
3/4-inch	C-GR075

Other sizes available on request.

SPECIFICATIONS

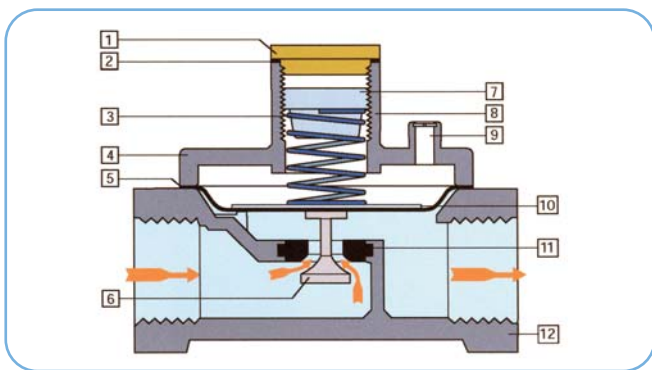
- Connections:** 3/8, 1/2 and 3/4-inch - other sizes available on request
- Housing Material:** Aluminium, cast iron [RV 131]
- Internal Components:** Steel, aluminium, elastomer
- Mounting:** Suitable for multi-positional mounting. Install with gas flowing as indicated by the arrow on bottom casting
- Construction and Design:** According to EN 88 and Gas Appliances Directive 90/396/EEC
- Classification:** Regulator grade B, group 2 according to EN 88
- Gas Type:** gas family 1, 2, and 3 according to EN 437
- Inlet Pressure:** 100 mbar
- Outlet Pressure:** 2.5 to 30 mbar (standard pressure is **Orange** @ 10-20 mbar)
- Ambient Temperature Range:** -15°C to 80°C
- Thread Connections:** According to ISO 7-1, EN 10226-1 and DIN 2999 part 1
- Pressure Drop:** Please refer to the following pages

Note:
For different pressures, springs are available - POA

DIMENSIONS & COMPOSITION

C-GR038 & C-GR050	OUTER DIMS
Pipe Sizes: C-GR038 Rp 3/8-in C-GR050 Rp 1/2-in Capacity: 2.8 m3/h air @ 2.5 mbar pressure drop Weight: 0.17 kg	A = 65mm B = 16mm C = 75mm D = 65mm
C-GR075	OUTER DIMS
Pipe Sizes: Rp 3/4-in Capacity: 6.0 m3/h air @ 2.5 mbar pressure drop Weight: 0.26 kg	A = 70mm B = 19mm C = 85mm D = 75mm

NB: dims are to be used only as an aid in designing clearance for the valve. Actual production dims may vary somewhat from those shown.



- | | |
|--------------------------|----------------------------|
| 1 Seal Cap | 7 Adjusting Screw |
| 2 Seal Cap Gasket | 8 Stack |
| 3 Spring | 9 Vent |
| 4 Top Housing | 10 Diaphragm Plates |
| 5 Diaphragm | 11 Rubber Seat |
| 6 Stem & Valve | 12 Bottom Houding |

Delivery is charged at the prevailing rate. Prices exclude VAT at the prevailing rate. The Company reserves the right to alter prices without notice. Please confirm this is the most current Price when placing your order. (See issue number at the top of the page to confirm most current price.) NB: Product accreditation may not apply to all products in the relevant range. Please contact Mechline to confirm. Unless otherwise stated, all products carry a warranty of twelve (12) months against manufacturing defect or workmanship on parts. No inclusion is made for labour or site attendance.

CaterConneX-Gas Compact Regulators

OUTLET PRESSURES

Different outlet pressure ranges can be achieved by changing the spring. This is accomplished by removing seal cap and adjusting the screw. For other outlet pressures, easily interchangeable springs are available. Spring colour coding, as follows:

GAS PRESSURE RANGE	*COLOUR
2.5-9 mbar	Brown
7-13 mbar	Silver
10-20 mbar (standard issue)	Orange
10-30 mbar (for models: C-GR038 & C-GR050)	Violet
20-30 mbar (for models: C-GR038 & C-GR050)	Blue
12.5-30 mbar (for model: C-GR075)	

NOTE: Standard pressure is **Orange**. If different outlet pressure is needed, review the above chart for appropriate colour.

SIZING A REGULATOR

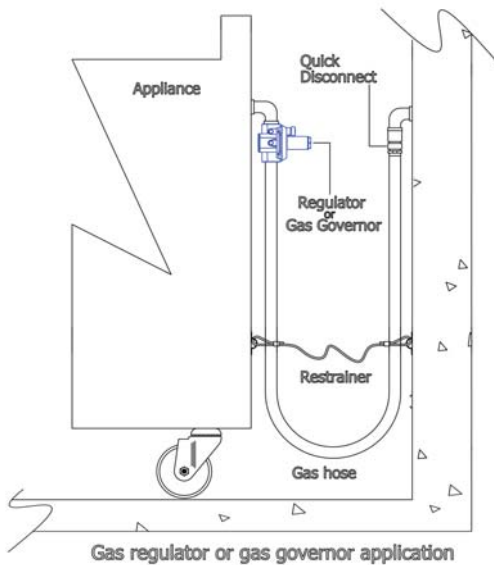
When sizing a regulator the following must be known:

- Available Inlet Pressure
- Desired Outlet Pressure
- Required maximum flow rate in m³/h or kW
- Pipe Size
- Will the regulator be used for main burner and pilot application OR main burner only?
- Is positive dead-end lock-up required?
- Is it a zero governor application?

NB: Please contact Mechline directly for more information on sizing a regulator.

The capacity of any regulator is not an absolute value but will vary with the application depending on the prevailing differential.

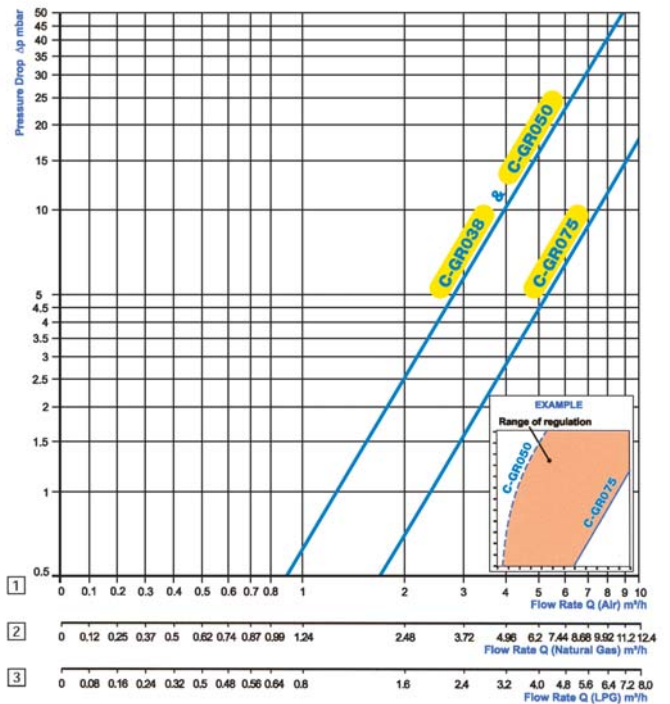
Correct Installation of CaterConneX-Gas Regulators



TECHNICAL PARAMETERS

Pipe Sizes:	Rp 3/8-in	C-GR038
P_emax/p_imax mbar:	100	
P_orange mbar:	2.5 - 30 (*outlet pressure depends on spring colour option)	
Pipe Sizes:	Rp 1/2-in	C-GR050
P_emax/p_imax mbar:	100	
P_orange mbar:	2.5 - 30 (*outlet pressure depends on spring colour option)	
Pipe Sizes:	Rp 3/4-in	C-GR075
P_emax/p_imax mbar:	100	
P_orange mbar:	2.5 - 30 (*outlet pressure depends on spring colour option)	

PRESSURE DROP CHART



<p>1 = Air dv = 1.00 f = 1.00</p>	$dv = \frac{\rho_{air}}{\rho_{gas}}$ $f = \sqrt{\frac{\rho_{air}}{\rho_{gas}}}$ $\dot{V}_{gas} = f \cdot \dot{V}_{air}$
<p>2 = Natural Gas dv = 0.64 f = 1.24</p>	
<p>3 = LPG dv = 1.56 f = 0.80</p>	

Delivery is charged at the prevailing rate. Prices exclude VAT at the prevailing rate. The Company reserves the right to alter prices without notice. Please confirm this is the most current Price when placing your order. (See issue number at the top of the page to confirm most current price.) NB: Product accreditation may not apply to all products in the relevant range. Please contact Mechline to confirm. Unless otherwise stated, all products carry a warranty of twelve (12) months against manufacturing defect or workmanship on parts. No inclusion is made for labour or site attendance.

To see more products from Mechline, visit www.mechline.com

CaterConneX-Gas Ball Valves



- High-Quality Ball Valves
- Brass nickel plated
- Full bore, PTFE seals
- PVC coated steel lever
- NBR stem O'rings
- Anti-blowout stem
- Use with any gas hose, including **DORMON** gas hoses



PARALLEL THREADS*

Model Number	C-BV050	C-BV075	C-BV100	C-BV125	C-BV150	C-BV200
Size	1/2 inch	3/4 inch	1 inch	1-1/4 inch	1-1/2 inch	2 inch
Body Length	56.3mm	64.5mm	79.2mm	88.7mm	98.3mm	119.8mm

COMPRESSION END FITTINGS*

(Non-stock item – Special Order)

Model Number	C-BV050C	C-BV075C
Size	15mm	22mm
Body Length	70.5mm	80mm



*NB: For **TAPERED END FITTINGS**, other sizes or further information, please contact Mechline.

IMPORTANT: BS6173:2009 requires a manual isolation valve to enable each individual appliance to be isolated.

Mechline's range of **CaterConneX-Gas Ball Valves** is ideal for meeting the new BS standards.

Delivery is charged at the prevailing rate. Prices exclude VAT at the prevailing rate. The Company reserves the right to alter prices without notice. Please confirm this is the most current Price when placing your order. (See issue number at the top of the page to confirm most current price.) NB: Product accreditation may not apply to all products in the relevant range. Please contact Mechline to confirm. Unless otherwise stated, all products carry a warranty of twelve (12) months against manufacturing defect or workmanship on parts. No inclusion is made for labour or site attendance.

Unit 15 Carters Lane Kiln Farm Milton Keynes MK11 3ER
Tel: +44 (0) 1908 261 511 Fax: +44 (0) 1908 261 522 Email: info@mechline.com www.mechline.com



CaterConneX is a registered trade mark and the property of Mechline Developments Ltd.