

## BASIX 400 HAND WASH STATION

**MODEL: BSX400-378-T + BSX-WASTE-BIN+ BSX-SPD**

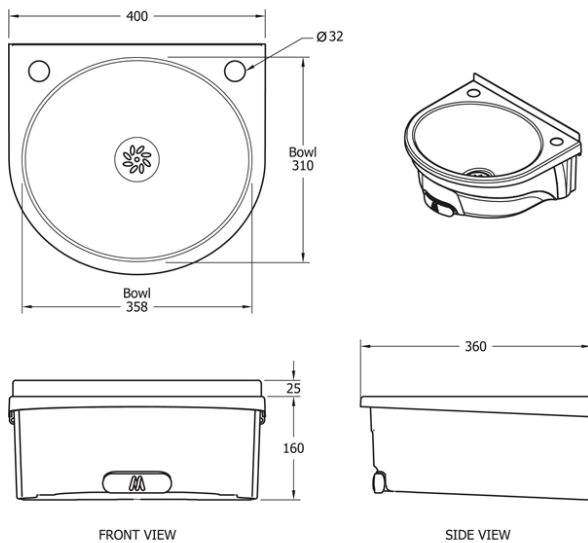



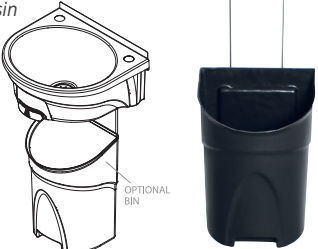
### FEATURES & BENEFITS

- WRAS approved across the whole range
- Curved design ideal for commercial kitchens
- No sharp corners for kitchen staff to knock into
- Easy to clean integral flush grated waste reduces the risk of bacterial development
- Bowl and deck are permanently bonded to the skirt removing the need for exposed bolts and rivets
- High strength injection moulded skirt removes the possibility of cut hazards created by sharp stainless steel edge
- Mounting bracket with integral spirit level for fast and easy install
- Optional splashback and waste bin available
- Stylish, functional design

### TECHNICAL INFO

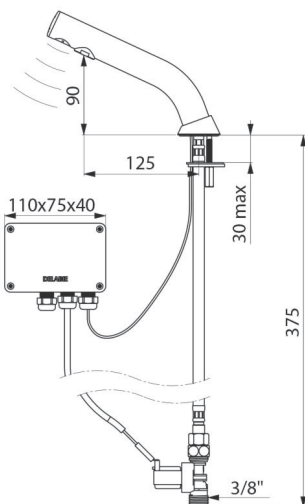
- MATERIALS Bowl and Deck: High grade polished 304 Austenitic stainless steel Skirt: High grade, high strength injection moulded ABS-Polycarbonate for the skirt
- Dimensions: O/D: 400 x 360 x 160mm Bowl: 358 x 310 x 130 deep



Model	Description	
<b>BSX-SPD</b>	<b>Optional Soap Dispenser</b>	
<b>BSX-WASTE-BIN</b>	<b>Optional Waste Bin</b> <i>High density polyethylene Hangs neatly under basin</i>	

## BINOPTIC electronic tap

**MODEL: DLB-378-015**



- Deck-mounted electronic basin tap.
- Independent IP65 electronic control unit.
- 230/12V mains supply with transformer.
- Flow rate pre-set at 3lpm at 3 bar, can be adjusted from 1.5 to 6 lpm.
- Scale-resitant flow straightener.
- WRAS-approved
- Active, infrared presence detection
- 15mm connector for compression fittings
- Adjustable duty flush (pre-set flush ~60 sec. every 24hr last use)

